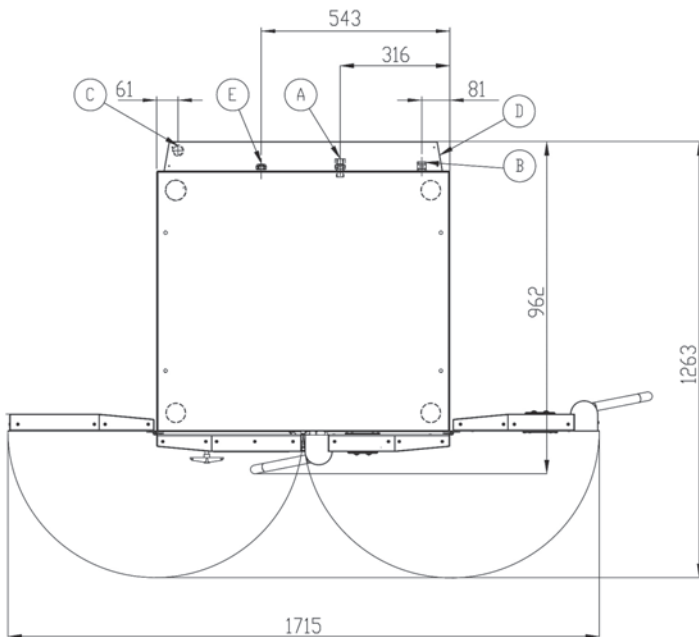
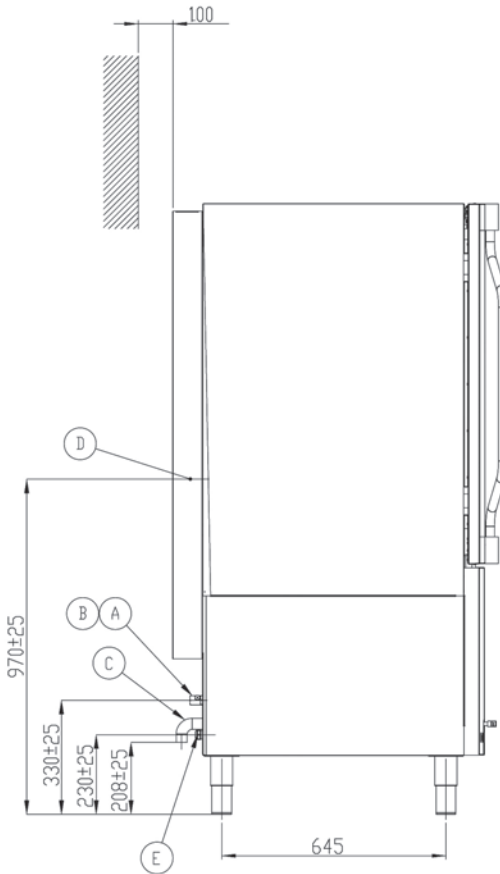
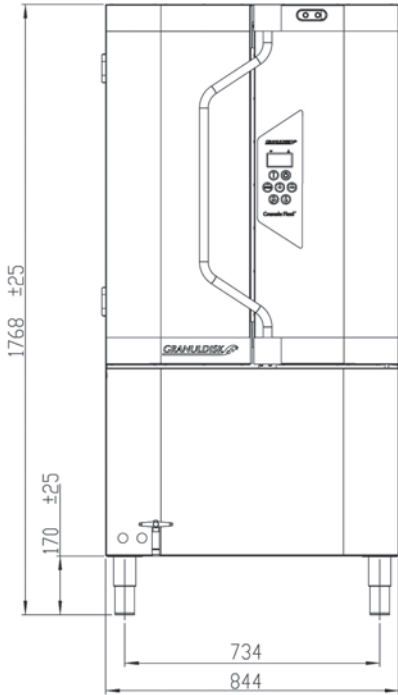




# Installation drawings

(mm)



- A** = Hot water 55-65 °C, (cold water optional), 3-10 °dH, 5-18 °f  
1-6 bar, 15 L/min, Max static 6 bar.  
G ½" BSP female, flexible hose min inner Ø 9 mm.
- B** = Cold water, 3-10 °dH, 5-18 °f  
3-6 bar, 15 L/min, Max static 6 bar.  
G ½" BSP female, flexible hose min inner Ø 9 mm
- C** = Drain Ø 32 mm. 208 mm from floor.  
Vertical pipe, capacity min. 50 L/min
- D** = Detergent/rinse aid connection 230V AC max 500 mA
- E** = Electrical connection (full technical data in previous page or user manual)

**Other:**

Ventilation capacity: With steam reduction 150 m³/h. Without steam reduction 500 m³/h