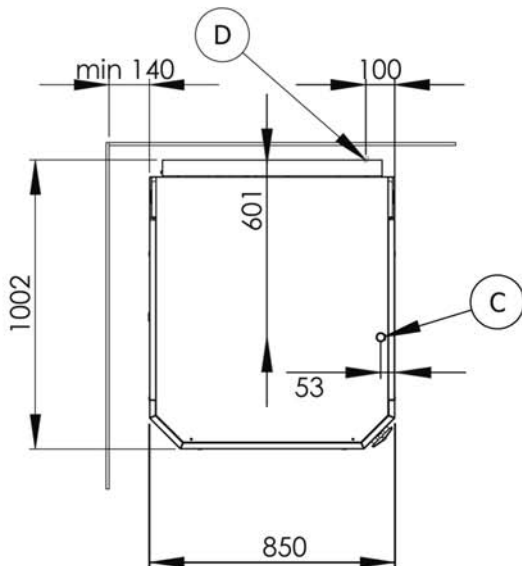
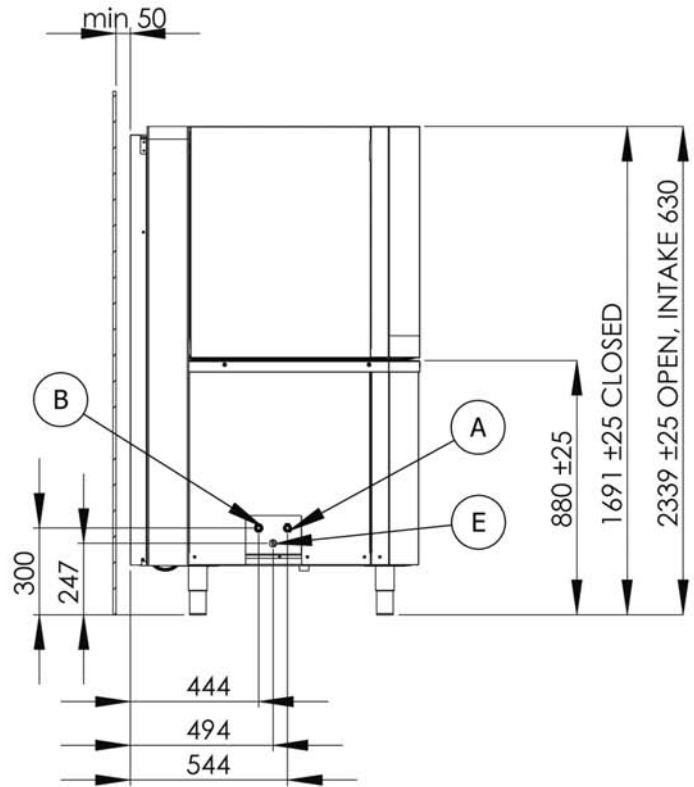
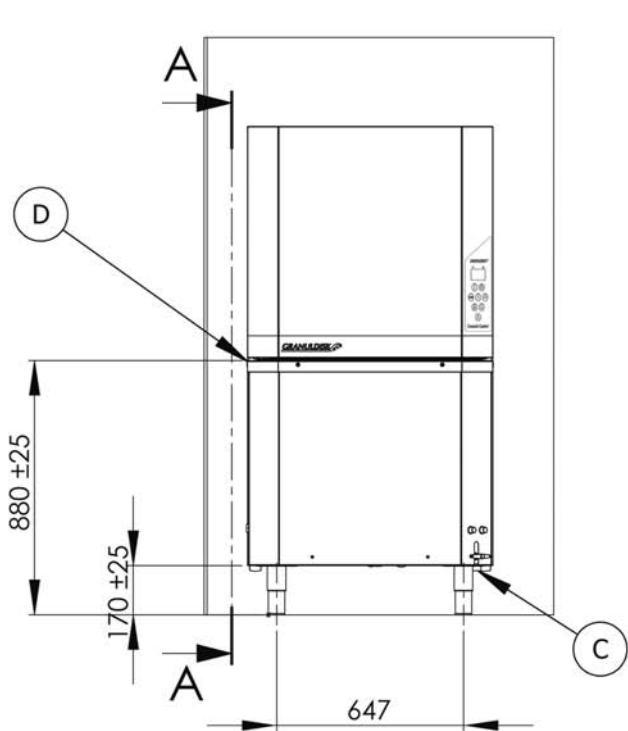




Installation drawings

(mm)



A = Hot water 55-65 °C, (cold water optional), 3-10 °dH, 5-18 °f
1-6 bar, 15 L/min, Max static 6 bar.
G ½" BSP female, flexible hose min inner Ø 9 mm.

B = Cold water, 3-10 °dH, 5-18 °f
1-6 bar, 15 L/min, Max static 6 bar.
G ½" BSP female, flexible hose min inner Ø 9 mm

C = Drain Ø 32 mm. 170 mm from floor.
Vertical pipe, capacity min. 50 L/min

D = Detergent/rinse aid connection 230V AC max 500 mA

E = Electrical connection (full technical data in previous page or user manual)

Other:

Ventilation capacity: With steam reduction 150 m³/h (cold water connection 3-6 bar). Without steam reduction 500 m³/h

Integrating Granule Gastro® with tables?

Please note that the minimum width for the tables to fit the GD 102 Standard Wash Basket is 740 mm.