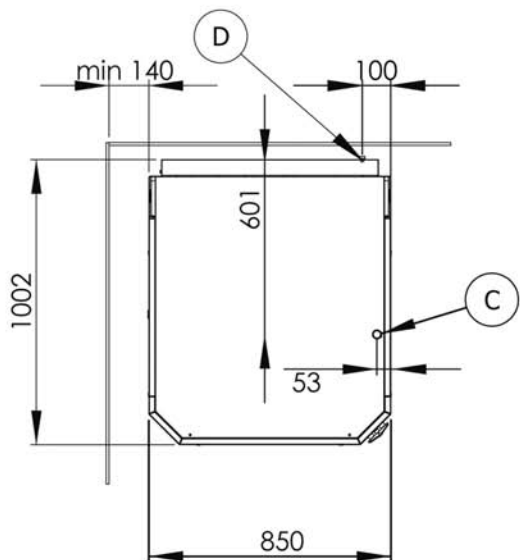
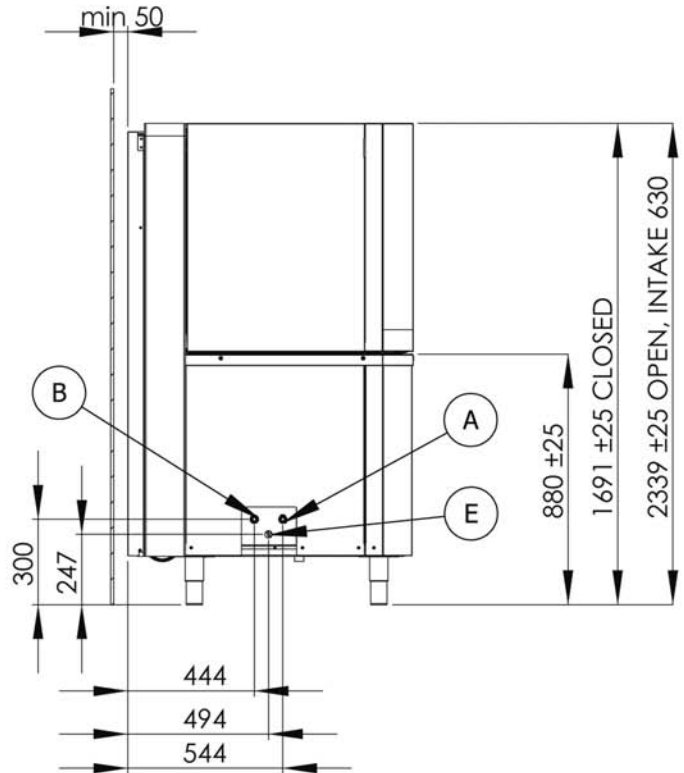
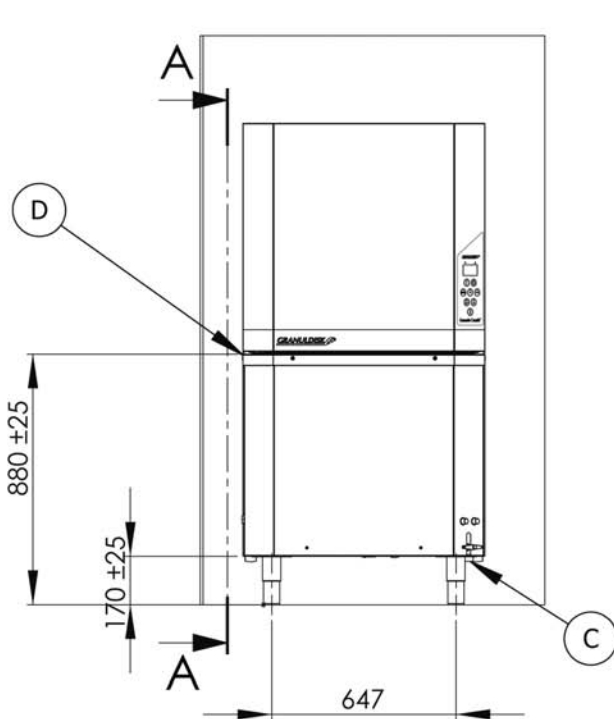




# Installation drawings

(mm)



**A** = Hot water 55-65 °C, (cold water optional), 3-10 °dH, 5-18 °f  
1-6 bar, 15 L/min, Max static 6 bar.  
G ½" BSP female, flexible hose min inner Ø 9 mm.

**B** = Cold water, 3-10 °dH, 5-18 °f  
1-6 bar, 15 L/min, Max static 6 bar.  
G ½" BSP female, flexible hose min inner Ø 9 mm

**C** = Drain Ø 32 mm. 170 mm from floor.  
Vertical pipe, capacity min. 50 L/min

**D** = Detergent/rinse aid connection 230V AC max 500 mA

**E** = Electrical connection (full technical data in previous page or user manual)

**Other:**

Ventilation capacity: With steam reduction 150 m³/h (cold water connection 3-6 bar required). Without steam reduction 500 m³/h

## Integrating Granule Combi® with tables?

Please note that the minimum width for the tables to fit the GD 102 Standard Wash Basket is 740 mm.  
To fit standard crockery baskets, the minimum width is 540 mm.