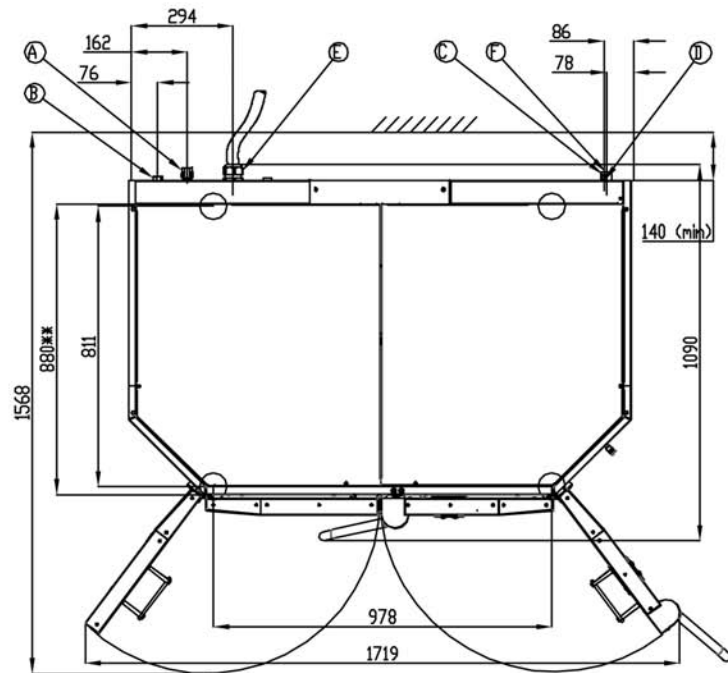
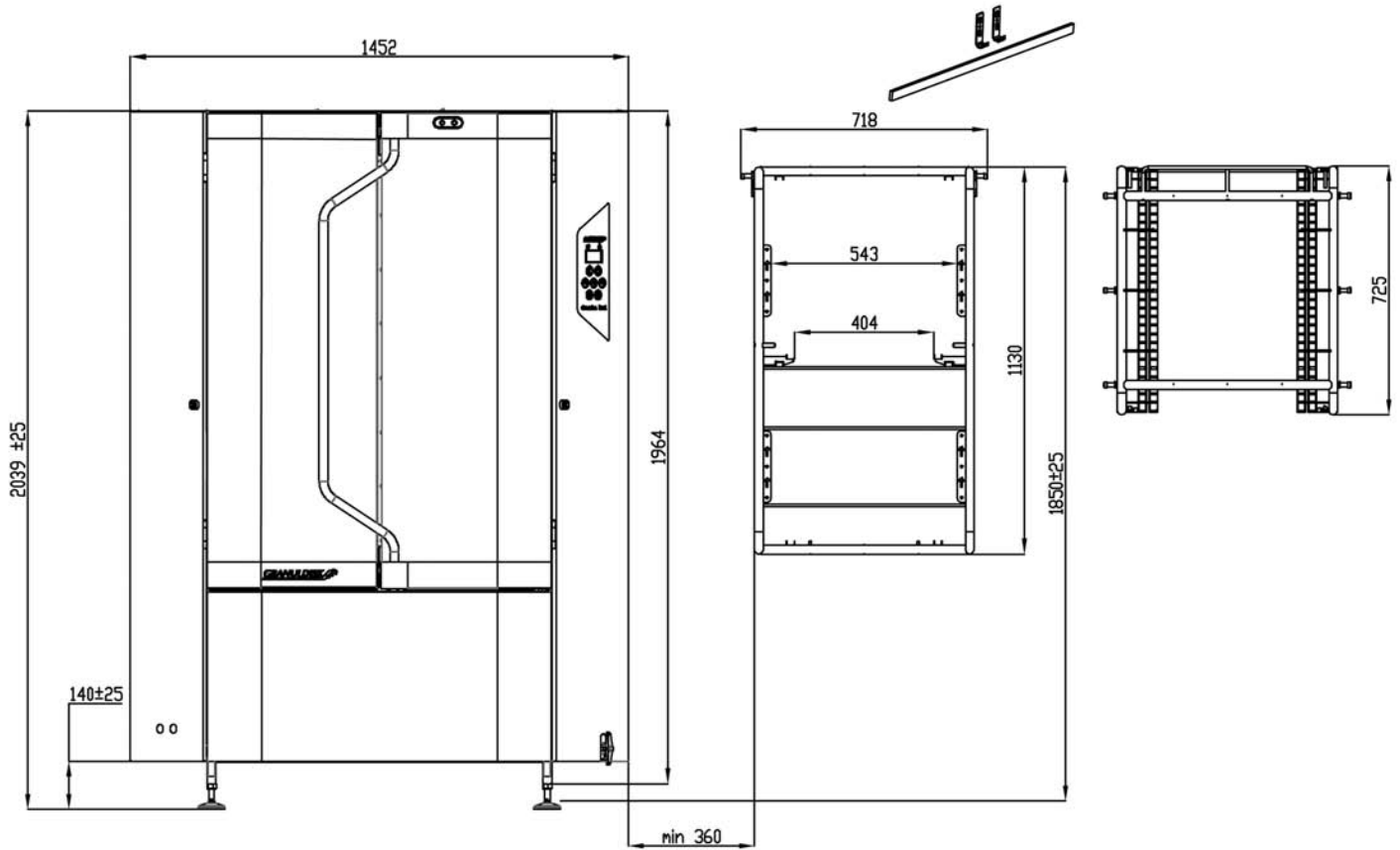




# Installation drawings

(mm)



\* Minimum intake height (without roof and feet).

\*\* Minimum intake width, GD Min, (all loose parts dismounted).

**A** = Hot water 55-65 °C, (cold water optional), 3-10 °dH, 5-18 °f  
1-6 bar, 25 L/min, Max static 6 bar.  
G ½" BSP female, flexible hose min inner Ø 9 mm.

**B** = Cold water, 3-10 °dH, 5-18 °f  
3-6 bar, 15 L/min, Max static 6 bar.  
G ½" BSP female, flexible hose min inner Ø 9 mm

**C** = Drain Ø 32 mm. 170 mm from floor.  
Horizontal pipe, capacity min. 50 L/min

**D** = Detergent/rinse aid connection 230V AC max 500 mA

**E** = Electrical connection (full technical data in previous page or user manual)

**Other:**

Ventilation capacity: With steam reduction 200 m³/h  
Without steam reduction 700 m³/h

